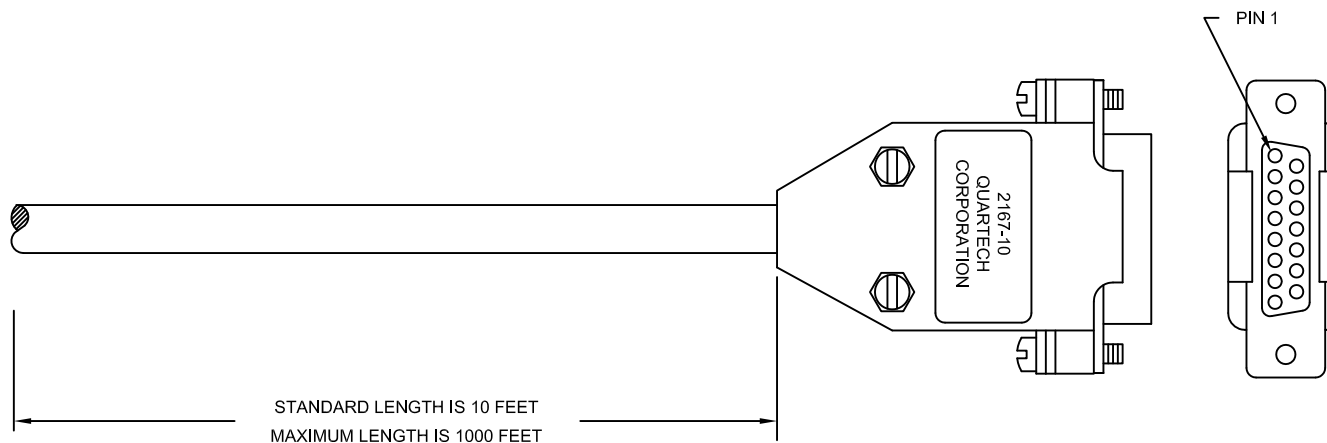


Refer to the documentation enclosed with the cable for Wire Color / Pin Number assignments.

Quartech 15 Pin Combo Port



QUARTECH		
2167 CABLE		
Quartech 15 Pin Combo Port (RS-485) to Quartech 9109K or Allen-Bradley AIC+		
Sheet 1 of 1	Rev 2	306C31